

August 2009

**AT A GLANCE**

**FEATURES**

Pre-calibrated

Available in standard resistances to match Stewart Warner, VDO and AC resistance gauges

Standard 5 hole SAE mounting pattern

Available in wire wound or thick film resistor versions

Rugged design

Available with hollow or solid float designs

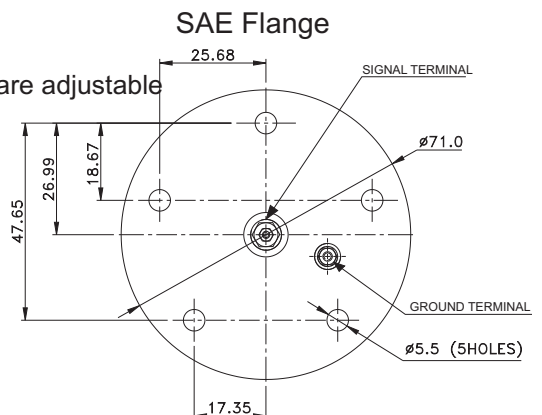
**FUEL LEVEL SENDER**

Veethree adjustable Fuel Level Senders are the preferred senders for heavy duty truck, farm and construction equipment applications where long-term performance under demanding conditions is required.

Twelve standard models are offered for tanks depths from 7 to 24 inches. Float arms are adjustable for varying swing lengths.

**Features and Benefits**

- Thick-film option for greater accuracy and longer life
- Solid float option for eliminating chances of float leakage
- Heavy duty SAE steel flange and extension plates



## GENERAL SPECIFICATIONS

### Mounting

Recommended for top mounting only

### Accuracy

Resistance accuracy at empty +0%, -3%; at full +3%, -0% of full scale. System accuracy depends upon proper fitting of sender to tank, tank shape and indicator calibration.

### Temperature

-40°F to 149°F, -40°C to 65°C

### Vibration

Qualified at 4.2g, 10-2000-10Hz

### Operating voltage

6 - 28V

### Leak Test

Passes 41kpa ± 4kpa as per SAE J1810

## MATERIAL OF CONSTRUCTION

### Head

CRCA steel per ASTM A 1008

### Support

CRCA steel per ASTM A 1008

### Card Holder & Head Insulator

Injection-molded thermoplast plastic

### Contact Spring

Phosphor Bronze spring as per BS:2870

### Contact

Silver

### Lever Wire

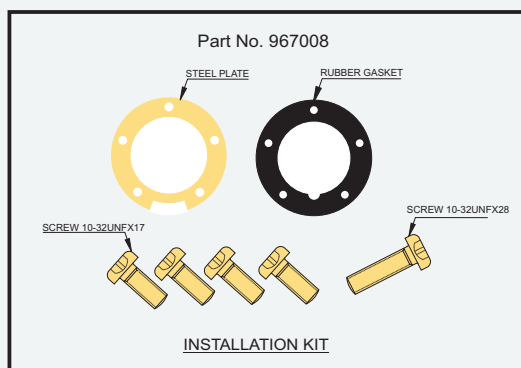
Spring Steel equivalent ASTM A 230

\* Materials and specifications are subject to change without notice  
Pressure ratings subject to change due to temperature and other environment considerations.

## FUEL LEVEL SENDER

PART NO.	RESISTANCE (ohms)	FLOAT	RESISTIVE ELEMENT
317002	240 - 33	Hollow (Poly Oxymethalene)	Thick film resistor
317027	10 - 180	Hollow (Poly Oxymethalene)	Thick film resistor
317028	0 - 90	Hollow (Poly Oxymethalene)	Thick film resistor
317037	240 - 33	Solid (NBR)	Wire wound
317038	10 - 180	Solid (NBR)	Wire wound
317039	0 - 90	Solid (NBR)	Wire wound
317040	240 - 33	Solid (NBR)	Thick film resistor
317041	10 - 180	Solid (NBR)	Thick film resistor
317042	0 - 90	Solid (NBR)	Thick film resistor
317043	10 - 180	Hollow (Poly Oxymethalene)	Wire wound
317044	240 - 33	Hollow (Poly Oxymethalene)	Wire wound
317045	0 - 90	Hollow (Poly Oxymethalene)	Wire wound

Note: Special resistance values can be developed on request



Note:- To be ordered separately