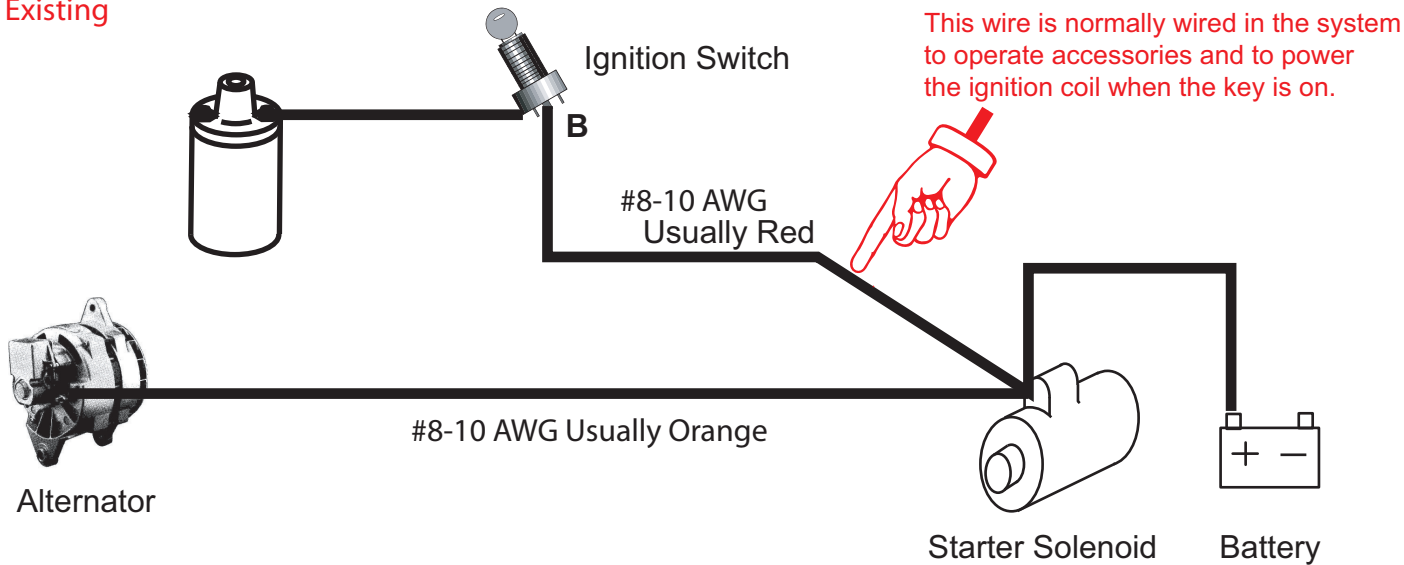
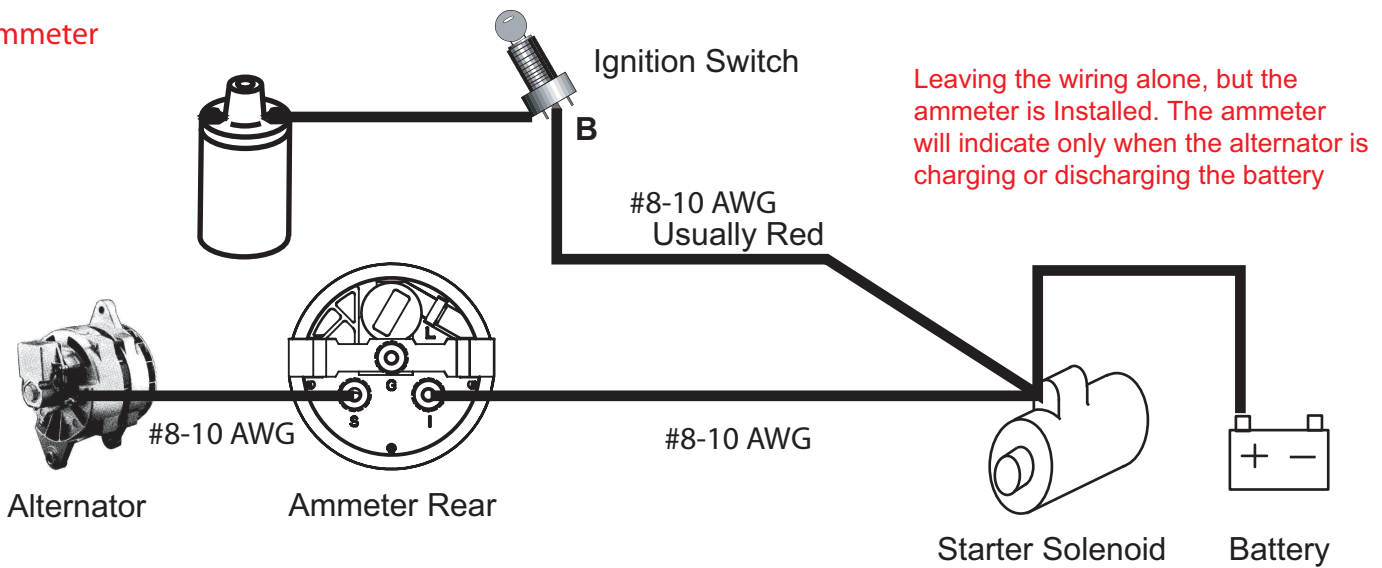


INSTALLATION OF WIRE FROM AMMETER TO IGNITION SWITCH

Typical Existing Wiring



With Ammeter Added



Ignition Wire Moved

