

MECHANICAL SPEEDOMETER/ODOMETER INSTRUCTIONS

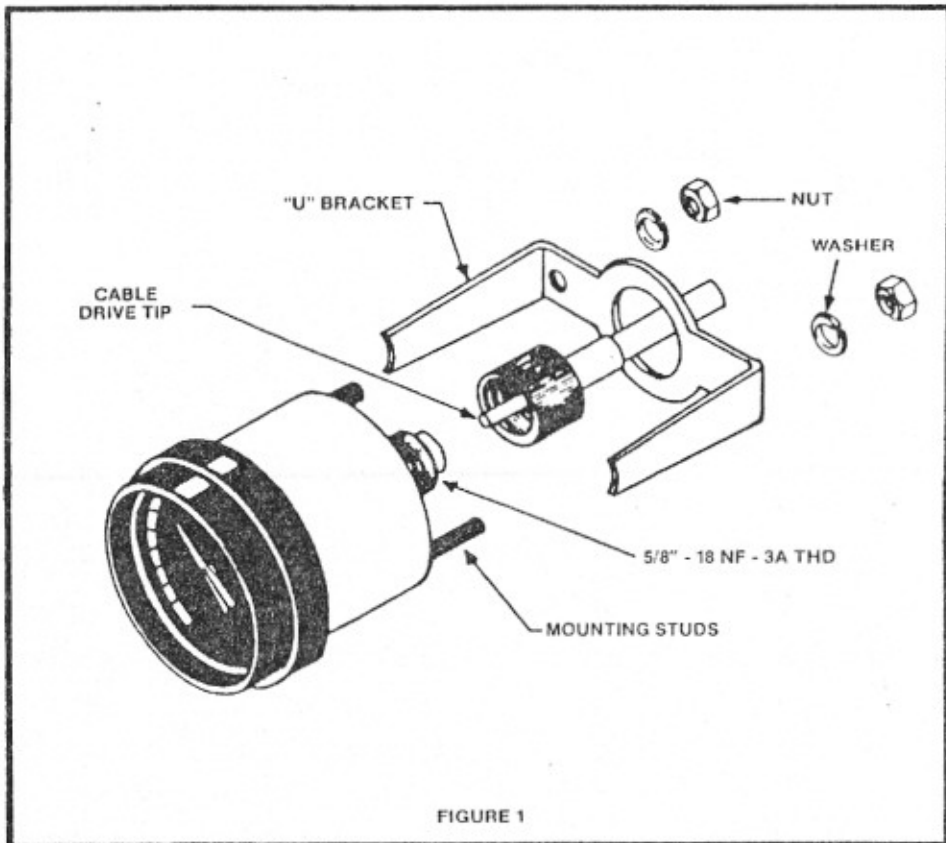


FIGURE 1

FOLLOWING ARE INSTRUCTIONS FOR INSTALLING AND WIRING THE MECHANICAL SPEEDOMETER/ODOMETER

CAUTION

READ THESE INSTRUCTIONS THOROUGHLY BEFORE PROCEEDING WITH INSTALLATION. DO NOT DEVIATE.

Additional material required to complete installation:

- No. 16 stranded insulated wire.
- Insulated terminal lugs as required.

Speedometer Cable Assembly.

NOTE: 1000 REVOLUTIONS OF DRIVE SHAFT WILL ADVANCE ODOMETER 1 MILE. 1000 RPM DRIVE SHAFT SPEED WILL RESULT IN SCALE READING OF 60-63 MPH.

PREPARATION FOR INSTALLATION

1. Select a mounting location for gauge which provides for easy readability from the operating position. Check behind mounting panel for sufficient installation clearance.
2. Cut a 3 1/4" (86 mm) diameter hole through panel at desired location.

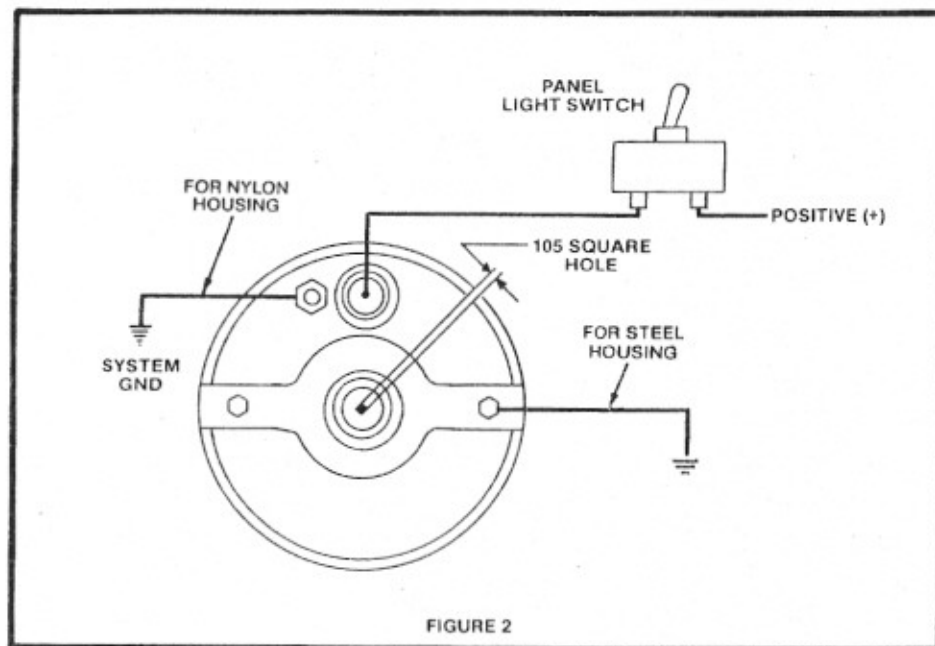


FIGURE 2

3. Insert Gauge into mounting hole in panel and check for fit.
2. Snap lamp and socket into socket hole.
3. Connect wires as shown in Figure 2.
4. Open Hardware Package. Fit "U" Bracket over mounting studs on back of Gauge (See Figure 1).

INSTALLATION OF GAUGE

1. After checking fit of gauge and "U" Bracket, insert Gauge into panel and install Bracket over mounting studs. Install a Nut and Washer onto each mounting stud as shown in Figure 1.

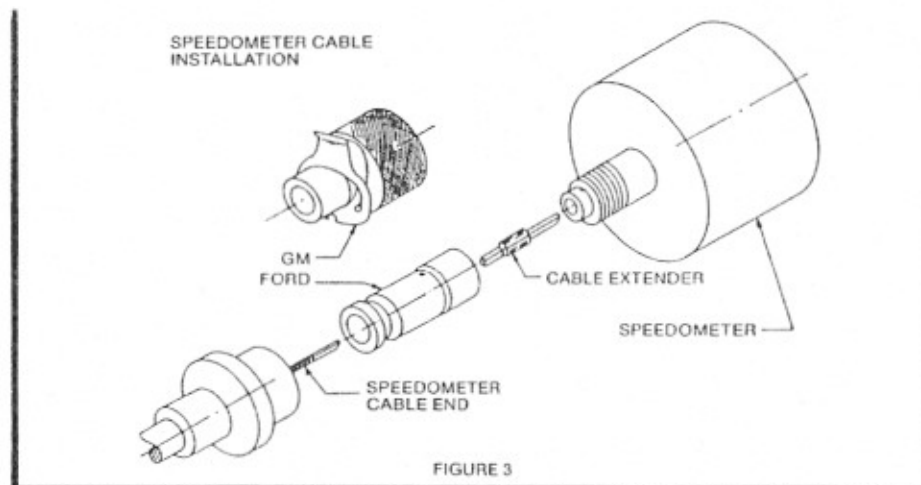
INSTALLATION OF CABLE THREAD ON TYPE

1. This Speedometer accepts a flexible drive cable with a .104" square drive tip and is secured with a 5/8" - 18 NF-3A threaded nut.
2. After installing the gauge, insert the square cable tip into the gauge and tighten the nut firmly by hand. A pliers may be used to finish tightening the nut. **Do not overtighten.** (See Figure 1).

INSTALLATION OF OPTIONAL LIGHTING

1. Remove plastic plug from socket hole.

5012-1
~~5011~~



INSTALLATION OF CABLE USING ADAPTORS

For installations requiring an Automotive Snap On Cable, an appropriate adaptor fitting must be installed onto the Speedometer head. See the chart below for correct fitting and cable extender. Also see Figure 3.

Fitting Type	Fitting P/N	Extender P/N
General Motors	52307-001	52307-002
Ford	52820	52307-002

1. After selecting proper adaptor, thread adaptor onto speedometer head cable fitting. Tighten adaptor with pliers until snug.
2. Insert cable extender's square shaft end into adaptor and into speedometer head. Square end must fit into speedometer's square opening.
3. Install speedometer cable onto adaptor making sure cable's square end fits into the square hole in the cable extender. Push cable all the way onto the adaptor until cable snaps into position.
4. Installation is complete.

FOR SPEEDOMETERS FACTORY DESIGNED FOR GENERAL MOTORS SNAP-ON CABLE

If the speedometer is factory equipped for General Motors clip-on cable follow the below instructions:

1. Before installing cable the speedometer head should be installed into the panel per instructions on page 1.
2. Insert the cable's drive tip into square hole in the speedometer's square drive.
3. Slide cable body over smooth barrel until flaired end snaps into clip.
4. Installation is complete.

