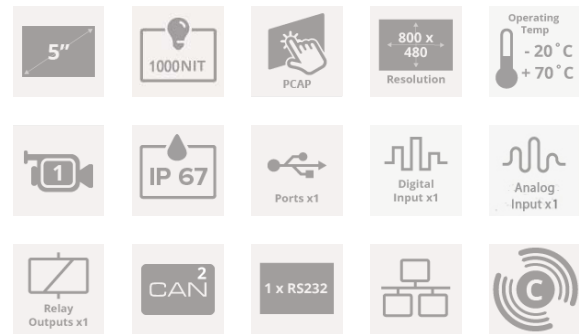


VeeCAN™ 500

5" Color Touch Screen Display



Technical Data



Introduction

The VeeCAN 500 has a slim-line profile housing a hi-resolution 5-inch projected capacitive touch customizable color screen delivering modern tablet like aesthetics. A Freescale i.MX 6 processor and dedicated graphics processor offer high performance graphics and video capabilities.

The WVGA (800x480) PCAP LCD color display can be viewed in full sunlight and the ruggedized unit is sealed to meet IP 67 standards. With dual CAN, Ethernet and Video support, the display is suited to a wide range of applications. External buttons can be added via a compatible CAN keypad.

It meets the need for tough, flexible instrumentation while offering high performance and design specifications. Custom software applications can be developed through Veethree.

Key Features

- 2 x CANbus & 1 x RS232 Connection
- 1 x Analog, 1 x Digital Input
- 1 x Relay Output
- Data Logger & Control Functions
- Telematics Supported
- 1 x Ethernet & 1 x Video Connection
- J1939/NMEA 2000/Tier 4 Compatible
- IP67 All Around Protection

VeeCAN™ 500

5" Color Touch Screen Display

Reliability

Veethree Instruments continues to successfully deploy products in an enormously diverse range of applications where total reliability is vital.

Our products, custom or standard range, are backed up by a dedicated central team of specialist engineers able to rapidly adapt any product for a specific application and to provide an unrivalled level of customer support.

The VeeCAN displays are also supported with a Limited 3 Year Manufacturer warranty against mechanical failure or material defects.

Software

Our SDK is in development and will be offered for an individual license fee from which customers can develop their own custom application solution. Available are optional plugins for CANopen, J1939, NMEA 2000, and support hours are included should your engineers need any help along the way.

Alternatively, we can develop custom software to your specification using our experienced in-house engineers.

Over the years our engineers have developed software for our displays to run rock crushers & mining machinery, measure performance of spraying equipment, acting as battery monitors, boat gyro stabilizers, plus many more including military and aerospace applications.

Accessories

➤ Protective Sun Covers

➤ Mounting Kits

Part Numbers

VeeCAN 500 Base Model: 71254
Hardware Kit: 70917K

VeeCAN™ 500

5" Color Touch Screen Display

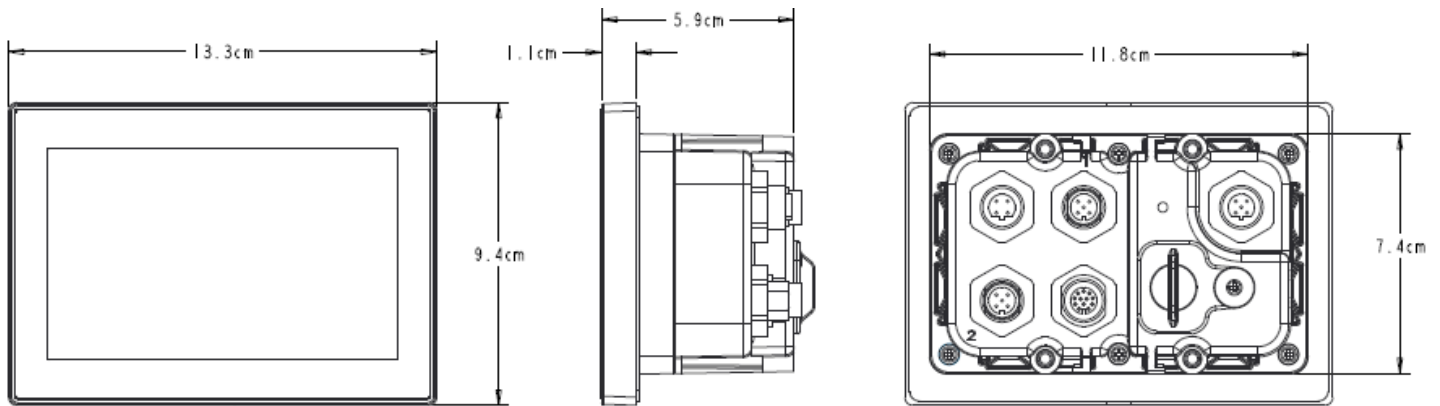
Specifications

Hardware	
CPU	Freescle i.MX 6 up to 1.Ghz and additional GPU
Flash Memory	256 MB
SDRAM	256 MB NAND
Electrical	
Display	PCAP LCD 5.0"
Resolution	800 (H) x 480 (V) WVGA
Active Area	108.0mm (H) x 64.8mm (V)
Viewing Angle	70 degrees left/right/down/up
Contrast Ratio	700:1
Brightness	1000 NIT (cd/m2) Full sunlight readable
Power Requirements	8V to 32V DC
Sounder	Internal Buzzer
Connection	5 x M12 Connectors
Communications	1 X RS232, 2 X CAN Bus 2.0B (1 isolated)
	1 x USB 2.0, 1 x Ethernet
Environmental	
Operating Temperature	-20 to +70 Degrees Celsius
Storage Temperature	-30 to +80 Degrees Celsius
Degree of Protection	IP67
Mechanical	
Case Material	ABS
Case Colour	Anthracite Grey
Dimensions	133mm (W) x 94mm (H) x 11mm forward and 48mm rear (D)
Part Description	
	VeeCAN™ 500 - 5" Color PCAP Display

VeeCAN™ 500

5" Color Touch Screen Display

Dimensions



Connectors

CAN 1		External USB / IO	Ethernet		
1	No Connection		1	USB Volts Positive	1
2	Positive DC Supply	2	USB Data Negative (DM)	2	White/Green +RX
3	Ground	3	USB Data Positive (DP)	3	Orange -TX
4	CAN Data H	4	No Connection	4	Green -RX
5	CAN Data L	5	USB Volts Negative		
CAN 2		6	No Connection*	Video	
1	No Connection	7	No Connection*	1	Camera 1
2	Isolated Volts Positive	8	No Connection*	2	Camera 2
3	Isolated Volts Negative	9	No Connection*	3	Camera 3
4	Isolated CAN Data H	10	Digital Input	4	Camera 4
5	Isolated CAN Data L	11	Analog Input	5	Ground
		12	Relay Output		

*Contact the factory for RS422 & RS485 build options